

CS-810/830



COLUMN SPEAKER(OUTDOOR USE)



CS-810

CS-830

FEATURES

- **OUTDOOR USE**
These column speakers are designed for outdoor use.
- **LONG LIFE**
You can use these long time, why these are designed with aluminum alloy and painted for anti-rust.
- **HIGH EFFICIENCY FOR P.A.**
Full range speaker unit and matching transformer are incorporated for high efficiency of P.A.
- **EASY INSTALLATION**
With instrument, you can install it easily by using provided bracket.
- **2 WAY SYSTEM**
To assure absolute long-term reliability, these model are used by tweeter of high quality.

SPECIFICATIONS

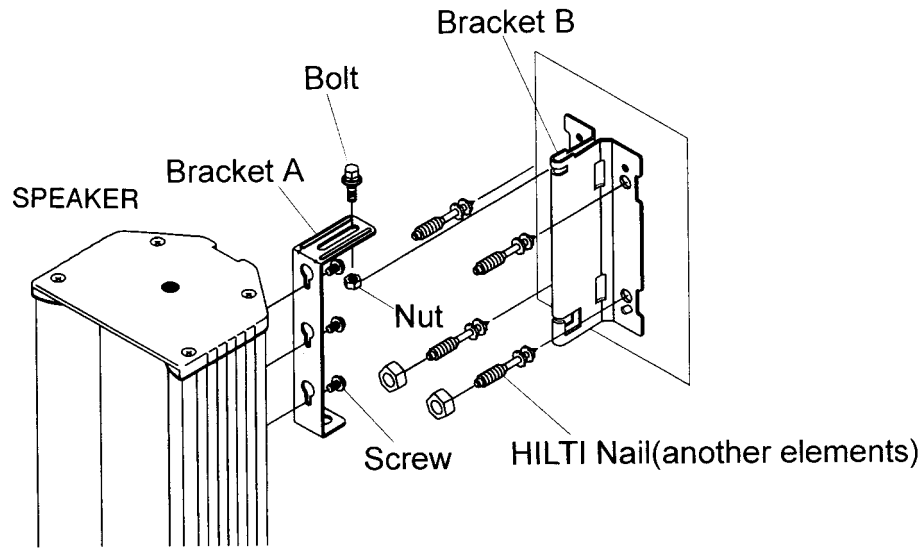
■ ELECTRICAL

- CS-810
Rated Input10W
Impedance.....1k Ω /2k Ω
Frequency Response200Hz-22kHz
SPL(1m/W)92dB
- CS-830
Rated Input30W
Impedance330 Ω /660 Ω
Frequency Response200Hz-22kHz
SPL(1m/W)96dB
- Material of CaseAluminum

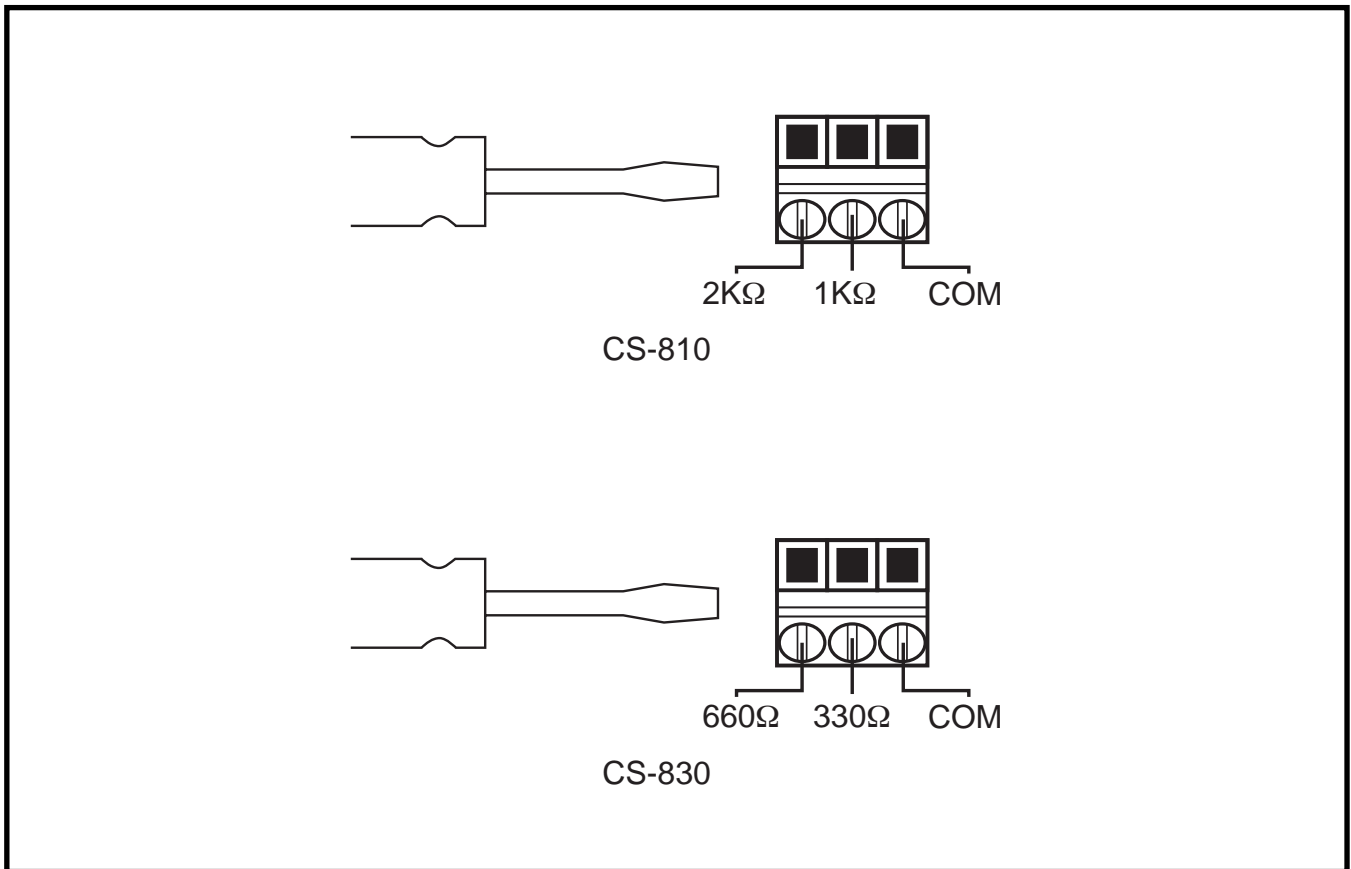
■ GENERAL

- Weight.....CS-810:2.9kg
CS-830:4.7kg
- DimensionsCS-810:149(W) \times 310(H) \times 124(D)mm
CS-830:149(W) \times 530(H) \times 124(D)mm

MOUNTING METHOD



TERMINAL CONNECTION



interM

OFFICE : 653-5 BANGHAK-DONG, DOBONG-KU, SEOUL, KOREA TEL : 82-2-2289-8140~8, FAX : 82-2-2289-8149
Home page : <http://www.inter-m.com> E-mail : export@inter-m.com

9047902260