

COLUMN SPEAKER(INDOOR USE)



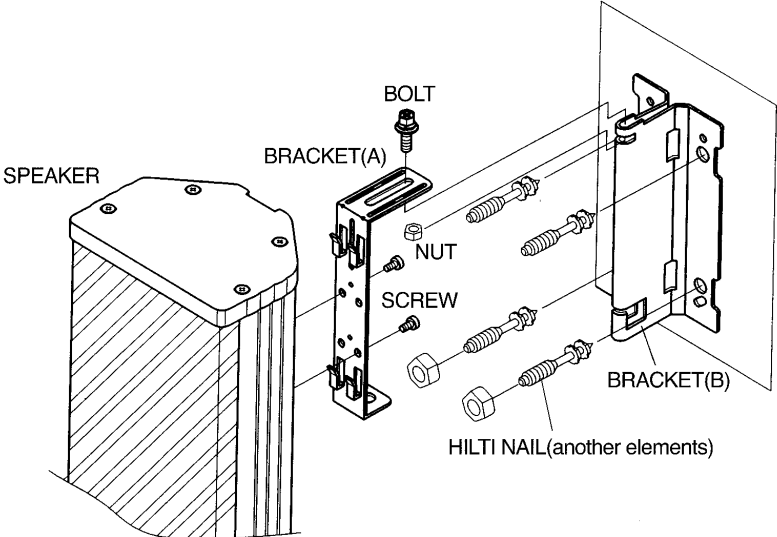
FEATURES

- **INDOOR USE**
These column speakers are designed for indoor use.
- **LONG LIFE**
You can use these long time, why these are designed with aluminum alloy and painted for anti-rust.
- **HIGH EFFICIENCY FOR P.A**
Full range speaker unit and matching transformer are incorporated for high efficiency of P.A.
- **EASY INSTALLATION**
With instrument, you can install it easily by using provided bracket.

SPECIFICATIONS

- **ELECTRICAL**
 - Rated Input.....20W
 - Impedance..... 500 Ω /1k Ω
 - Frequency Response.....200Hz-14kHz
 - SPL(1W/1m).....90dB
- **GENERAL**
 - Material of CaseAluminum
 - Weight2.9kg
 - Dimensions138(W) ; 326(H) ; 105(D)mm

MOUNTING METHOD



DUAL CHANNEL ANALYZER GRAPHICS

